

REV	ECN #	DESCRIPTION	DRAWING	APPROVED	DATE
A		NEW RELEASE	Bull.pan		2020/05/09

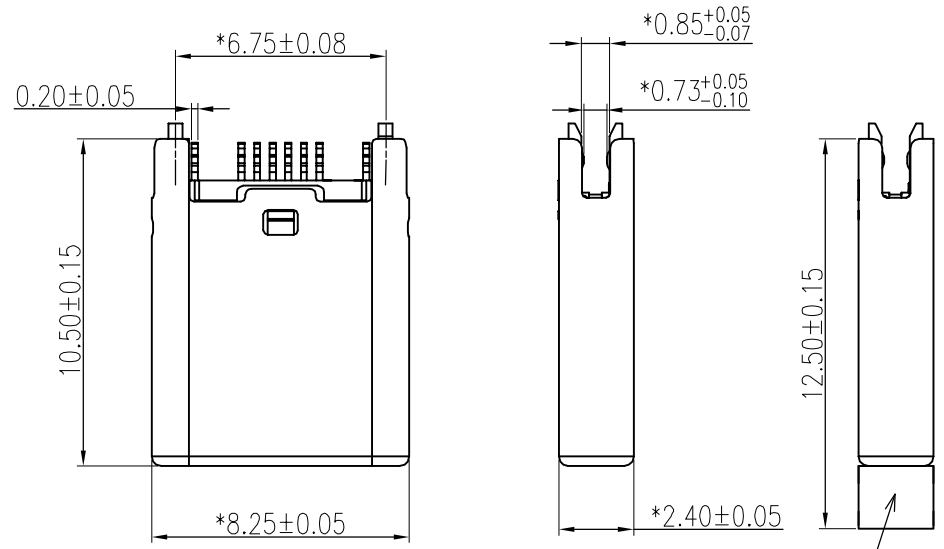


PRODUCT NO.

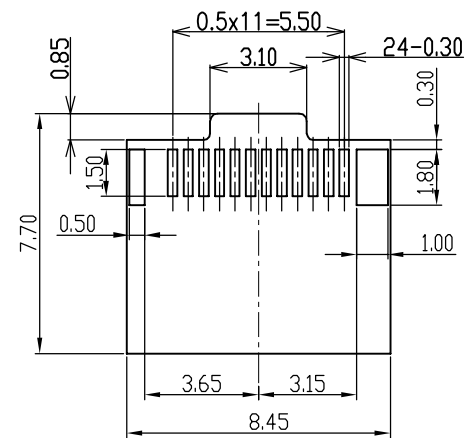
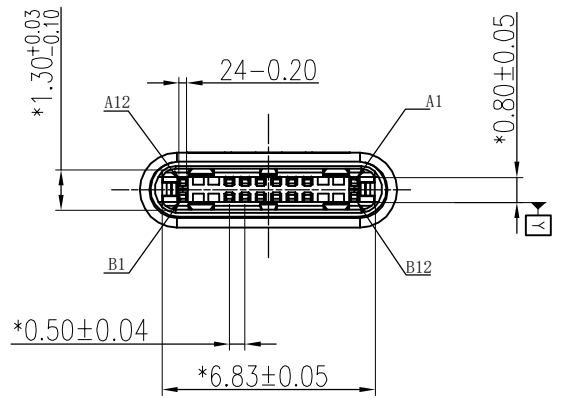
- TC01-16 C X XX-FX  
 ① ② ③ ④ ⑤ ⑥  
 ① PRODUCT SERIES:  
 TC01: USB TYEP\_C PLUG  
 ② PIN NO. :  
 16: 16PIN  
 ③ HOUSING MATERIAL:  
 C: LCP  
 ④ COLOR:  
 B: BLACK  
 W: WHITE  
 ⑤ FINISHING:  
 15: Au30U", Sn100U"  
 M7: Au15U", Sn100U"  
 16: Au3U", Sn100U"  
 05: Au1U", Sn100U"  
 ⑥ SERIES NO. :  
 F0: WITHOUT SPRING (外壳雾镍无弹)  
 F1: WITH SPRING (外壳亮镍有弹)  
 F2: WITH SPRING (外壳雾镍有弹)

NOTES:

- 1.MATERIAL  
 1.1.HSG: HIGH TEMPERATURE THERMOPLASTIC UL94V-0 BLACK;  
 1.2.CONTACT: COPPER ALLOY  
 1.3.LATCH: STAINLESS STEEL  
 1.4.EMI SPRING: STAINLESS STEEL  
 1.5.SHELL: STEEL  
 2. FINISH:  
 2.1 CONTACT:  
 0.0762um [3u"] MIN, Au PLATING ON CONTACT AREA.  
 2.54um [100u"] MIN. TIN PLATING ON SOLDERTAIL AREA.  
 1.27um [50u"] MIN.NICKEL.UNDERPLATING ON ALLOVER AREA.  
 2.2 SHELL  
 Ni PLATING OVERALL  
 2.3 LATCH:  
 2.54um [100u"] MIN. TIN PLATING ON SOLDERTAIL AREA.  
 1.27um [50u"] MIN.NICKEL.UNDERPLATING ON ALLOVER AREA.  
 3.ELECTRICAL CHARCTERISTICS:  
 3.1 CONTACT RESISTANCE: 40mΩ MAX.(INITIAL)  
 3.2 INSULATION RESISTANCE: 100MΩ MIN.  
 3.3 DIELECTIC WITHSTANDING VOLTAGE: 100V AC FOR 1 MINUTE.  
 4.MECHANICAL CHARACTERISTICS:  
 4.1 INSERTION FORCE: 0.5~2.0KG(5N~20N).  
 4.2 WITHDRWAL FORCE: 0.8~2.0KG(8N~20N)  
 4.3 DURABILITY:10000 CYCLES  
 5.ENVIRONMENTAL CHARACTERISTICS:  
 5.1 OPERATING TEMPERATURE: -30° TO +85°  
 5.2 STORAGE TEMPERATURE: -40° TO +85°



塞子



RECOMMENDED P.C.B LAYOUT(Both sides are sample)  
 Tolerance:±0.05,Thickness=0.80mm

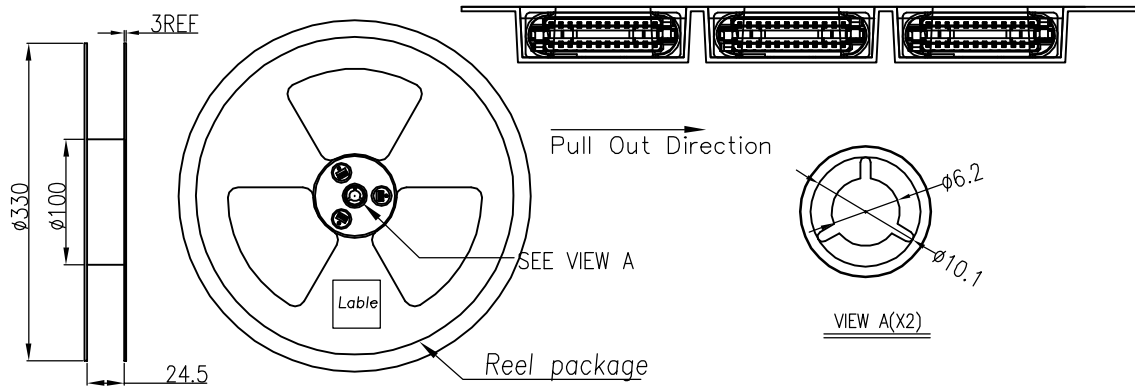
USB TYPE-C PIN ASSIGNMENTS:

A12	A11	A10	A9	A8	A7	A6	A5	A4	A3	A2	A1
GND		VBUS	SBU1	Dn1	Dp1	CC1	VBUS				GND
GND		VBUS	CC2	Dp2	Dn2	SBU2	VBUS				GND
B1	B2	B3	B4	B5	B6	B7	B8	B9	B10	B11	B12

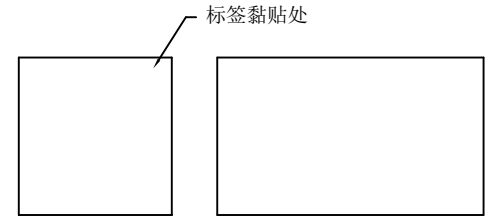
<b>CUSTOMER DRAWING</b>	东莞市溪榜电子有限公司 DONG GUAN XI BANG ELECTRONICS CO., LTD.	
	DRAWING	Bull. pan
	APPROVED	
	DATE	2020/05/09
GENERAL TOLERANCE	TITLE: USB TYPE C PLUG 16Pin 拉伸壳两侧开槽	
ANGEL TOLERANCE	P/N: XB-TC01-16CXXX-FX	
	DRAWING NO. XB-C-TC01-F0	
	UNIT mm	SCALE 1:1
	SIZE A4	SHEET 1of2
	REV A	

□ Packing Notes:

1. Reel : 2400pcs/ Reel.
2. Carton : 26400pcs/ 11 Reel/ Carton.

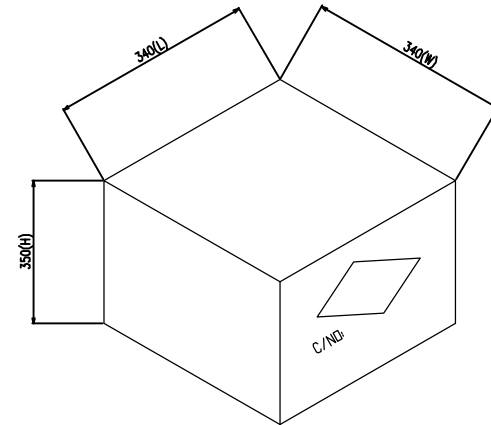
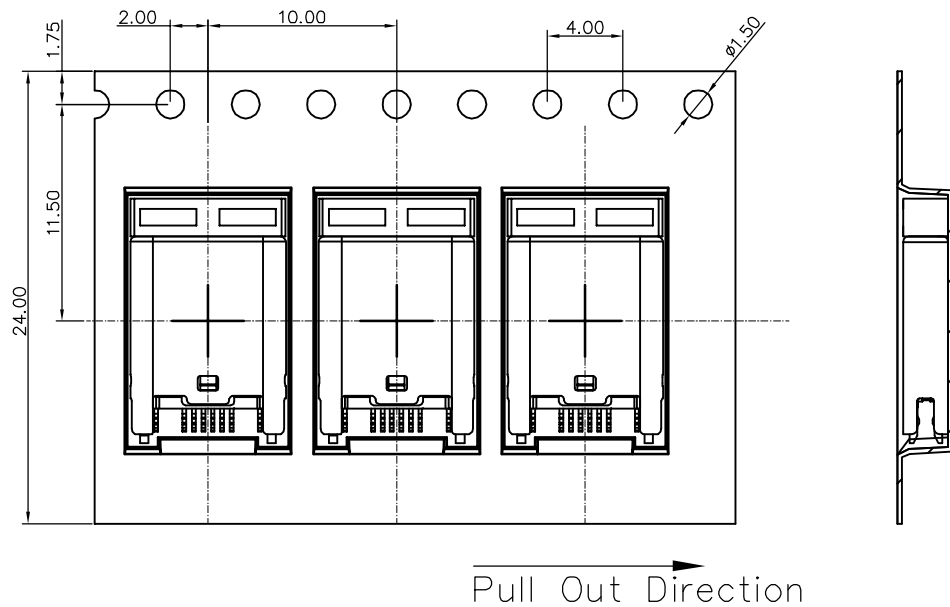
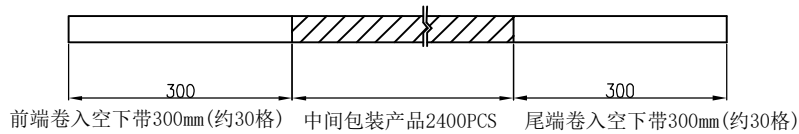



- 1) 用TAPE将纸箱封实.
- 2) 将标签贴于纸箱侧



备 注 (REMARK)

- 1). 若有未装满之零数箱, 必须以缓冲材塞满.
- 2). 在搬运过程中要轻拿轻放.
- 3). 在运输中不可堆放过多, 不可有重压现象.
- 4). 上带在黏贴下带时必须平整, 且黏贴处不要出现气泡.



CUSTOMER DRAWING	 <b>东莞市溪榜电子有限公司</b> DONG GUAN XI BANG ELECTRONICS CO., LTD.											
	DRAWING	Bull.pan	TITLE: USB TYPE C PLUG 16Pin 拉伸壳两侧开槽 包装图				P/N:					
GENERAL TOLERANCE X. .X ±0.20 .XX ±0.15 .XXX ±0.10	APPROVED		XB-TC01-16CXXX-FX				A					
ANGEL TOLERANCE X. ±3° .XX ±2° .XXX ±1°	DATE	2020.05.09	DRAWING NO. XB-C-TC01-F0									
			UNIT	mm	SCALE	1:1	SIZE	A4	SHEET	2of2	REV	A